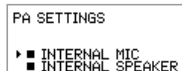


## SETTINGS

### Activating and deactivating of internal microphone and internal speakers

The internal microphone and speakers are turned off by default when the PA box is connected.

⇒ Press **MENU** and select **SETTINGS > PA**.



PA SETTINGS  
▣ INTERNAL MIC  
▣ INTERNAL SPEAKER

⇒ Select **INTERNAL MIC** or **INTERNAL SPEAKER**.

⇒ Press **OK** to switch between ON (shaded square) and OFF.

① It is only the internal microphone that will be turned off. When using external microphones, they will still be active.

### Adjusting PA monitor level

PA monitor can be used to adjust the microphone level from an external microphone mixer.

⇒ Make a call.

⇒ Press **MENU** and select **PA > MONITOR**.



PA MONITOR  
**MICROPHONE LEVEL**  
0

⇒ Adjust the microphone level from the mixer so that this value is around 10–12 when speaking in a normal tone of voice.

### Adjusting PA calibration

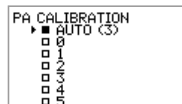
If needed it is possible to calibrate the full duplex performance. The calibration value can be set to AUTO or be adjusted manually in steps from 0 to 5 where 0 is the highest grade of duplex.

- If the remote party experiences disturbing echoes > increase the calibration value.
- If the remote party experiences a low grade of duplex (your voices is muted when the other party also is talking) > decrease the calibration value.

① The physical position of speakers and microphones as well as amplifier settings may impair the full duplex performance.

⇒ Make a call.

⇒ Press **MENU** and select **PA > CALIBRATION**.



PA CALIBRATION  
▣ AUTO (3)  
▣ 0  
▣ 1  
▣ 2  
▣ 3  
▣ 4  
▣ 5

① AUTO is the default setting and is recommended for most situations. The value shown within brackets is the measured calibration value.

⇒ Select different levels and compare the audio quality to retrieve a suitable setting.

## Connecting a PA interface box to the Konftel 300

ENGLISH



## DESCRIPTION AND INSTALLATION

The PA interface box connects the conference phone with an existing PA system. To match several types of situations and equipment, there are some settings available in the Konftel 300 menu, see “SETTINGS”.

### Parts included

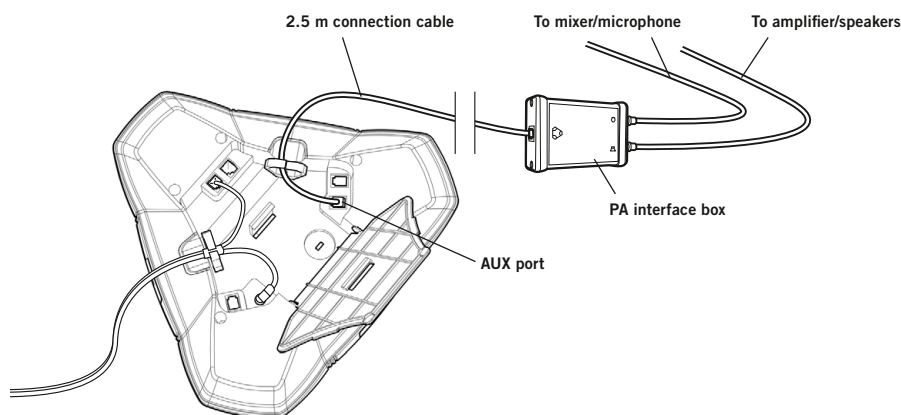
- Interface box
- Connection cable, 2.5 metres

### Output specification

Connector	RCA
Impedance	600Ω
Output level	200mV RMS

### Input specification

Connector	RCA
Impedance	5kΩ
Input level	300mV RMS



### Connecting the PA interface box

- ① Always disconnect the power supply from the electrical outlet before disconnecting or connecting equipment to the Konftel 300.
- ⇒ Connect the PA interface box to the AUX port on Konftel 300 with the included cable.
- ⇒ Connect the external amplifier to the RCA connector marked with a speaker.
- ⇒ Connect the microphone mixer to the RCA connector marked with a microphone.

### Installing Konftel PC Suite

You always upgrade the Konftel 300 using a PC and a free Windows software called **Konftel PC suite**. If you do not already have this software installed, do as follows:

- ⇒ Download the Konftel PC Suite from [www.konftel.com/upgrades](http://www.konftel.com/upgrades).
- ⇒ Install the downloaded software on your PC.
- Follow the instructions given by the installation guide.

- ① We recommend that you open the installation instructions document (pdf).

## SOFTWARE INSTALLATION

### Obtaining the Konftel 300 software with PA support

- ⇒ Press the **MENU** button on the phone and select the menu option **STATUS**.
- ⇒ Check the conference phone's serial number (ID number) and make a note of it for later use during the installation.
- ⇒ Open [www.konftel.com/licence](http://www.konftel.com/licence) in your web browser.
- ⇒ Enter the Konftel **Software License number** and **password** and click on the **Continue** button.
- ① The software licence number and password can be found on the appended certificate.
- ⇒ Enter the phone's **serial number** and your **e-mail** address and click on **Send**.  
*You will retrieve a link by e-mail to download the new software.*
- ⇒ Click on the link in the e-mail and choose to save the software on your PC. You will use it during the following upgrade installation.
- ① It is possible to upgrade the software to later versions in the future without losing the PA support.

### Upgrading the software in the Konftel 300

- ⇒ Connect the Konftel 300 to the PC using the USB cable.
- ⇒ Start the **Konftel PC Suite** software on your computer from the **Start** menu.
- ⇒ Click **Next >** in the installation guide to proceed.

Setting the Konftel 300 in upgrade mode:

- Disconnect the power supply cable from the Konftel 300.
- Press and hold the **MENU** button while you connect the cable again (i.e. starts the Konftel 300).

*The blue indicators light up when the Konftel 300 is set in Upgrade mode.*

- ⇒ Click **Next >** in the installation guide to proceed.

- ⇒ Click on the **Browse** button to browse for your previously downloaded upgrade file.
- ⇒ Select the upgrade file (with the extension **.kt**) and click on **Next >** in the installation guide.

*The upgrade is downloaded to your Konftel 300.*

- ⇒ Exit the Konftel PC Suite, when the upgrade is completed.
- ⇒ Remove the USB cable.
- ⇒ Restart your Konftel 300 by disconnection and connecting the power plug.

*When the Konftel 300 starts, a message will indicate that an upgrade is added.*

